

ATLANTIC

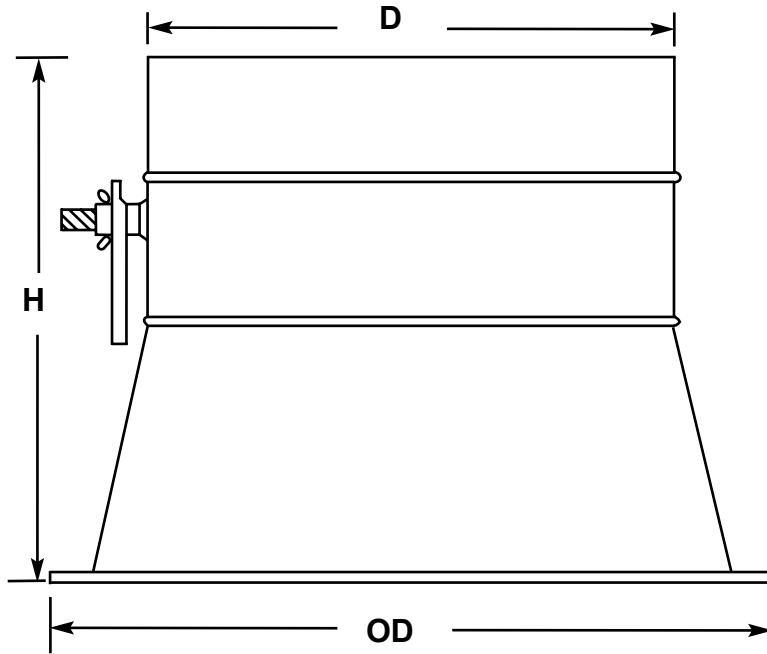
AIR PRODUCTS MANUFACTURING, LLC

106 Airport Road
Concord, NH 03301

603-224-9680
603-224-2695

SUBMITTAL DATA

MODEL: CBM / CBMD



Construction

- 26 Gauge Galvanized Steel
- .125 Double Stick Neoprene Gasket
- Pre Punched Holes

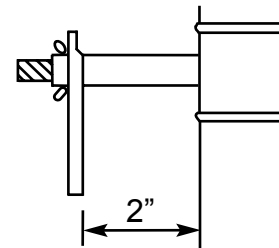
Models

- CBM - No Damper
- CBMD- With Damper

Diameter "D"	Height "H" CBM	Height "H" CBMD	Outside Dia. "OD"
4"	6"	6"	7"
5"	6"	6"	8"
6"	6"	6"	9"
7"	6"	6"	10"
8"	6"	6"	11"
9"	6"	6"	12"
10"	6"	6"	13"
12"	6"	6"	15"
14"	6"	6"	17"
16"	6"	6"	19"
18"	6"	6"	21"

Options

- 2" Shaft Extension Handle



As part of our commitment to continuous improvement AAP reserves the right to change specifications, dimensions, and materials without notice.

JOB NAME _____ LOCATION _____ ENGINEER _____ CONTRACTOR _____	DRAWN BY _____	DATE _____
	ALL PRODUCTS PROUDLY MADE IN THE USA BY SMWIA LU-17	REVISION _____
		DRAWING NUMBER _____