

ATLANTIC

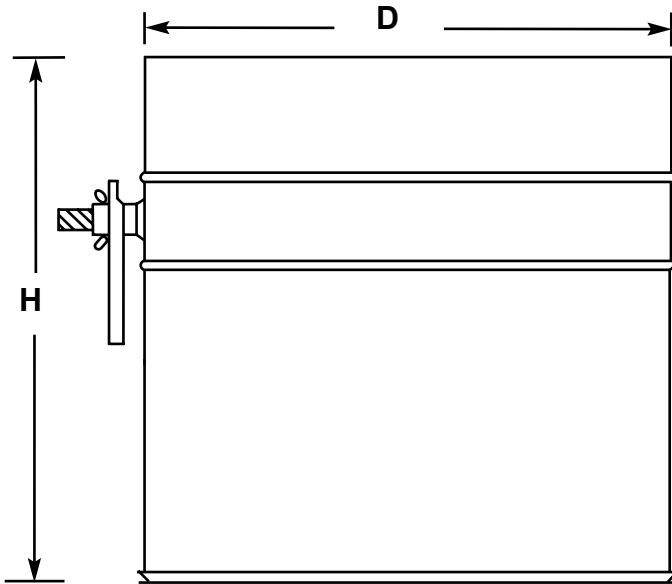
AIR PRODUCTS MANUFACTURING, LLC

106 Airport Road
Concord, NH 03301

603-224-9680
603-224-2695

SUBMITTAL DATA

MODEL: SPN / SPND



Construction

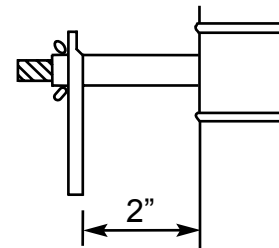
- 26 Gauge Galvanized Steel

Models

- SPN** - No Damper
- SPND** - With Damper

Options

- 2" Shaft Extension Handle



Diameter "D"	Height "H" SPN	Height "H" SPND
4"	3.5"	3.5"
5"	3.5"	6.5"
6"	3.5"	6.5"
7"	3.5"	6.5"
8"	3.5"	6.5"
9"	3.5"	6.5"
10"	3.5"	6.5"
12"	3.5"	6.5"
14"	3.5"	6.5"
16"	3.5"	6.5"
18"	3.5"	6.5"

As part of our commitment to continuous improvement AAP reserves the right to change specifications, dimensions, and materials without notice.

JOB NAME _____ LOCATION _____ ENGINEER _____ CONTRACTOR _____	DRAWN BY _____	DATE _____
	ALL PRODUCTS PROUDLY MADE IN THE USA BY SMWIA LU-17	REVISION
		DRAWING NUMBER