

# ATLANTIC

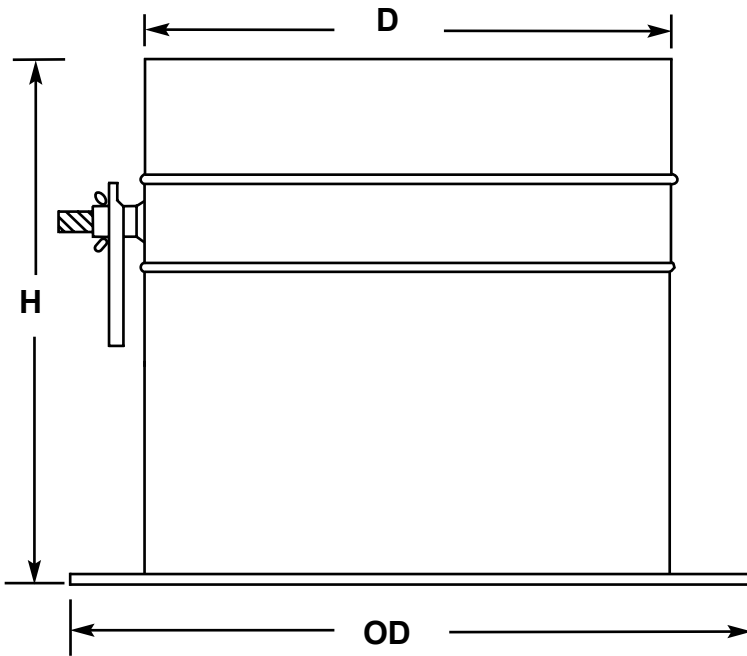
**AIR PRODUCTS MANUFACTURING, LLC**

106 Airport Road  
Concord, NH 03301

603-224-9680  
603-224-2695

## SUBMITTAL DATA

## MODEL: CAT / CATD



### Construction

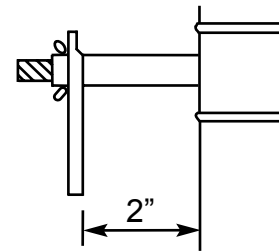
- 26 Gauge Galvanized Steel
- .125 Double Stick Neoprene Gasket
- Pre Punched Holes

### Models

- CAT - No Damper
- CATD- With Damper

### Options

- 2" Shaft Extension Handle



Diameter "D"	Height "H" CAT	Height "H" CATD	Outside Dia. "OD"
4"	3.5"	3.5"	7"
5"	3.5"	6.5"	8"
6"	3.5"	6.5"	9"
7"	3.5"	6.5"	10"
8"	3.5"	6.5"	11"
9"	3.5"	6.5"	12"
10"	3.5"	6.5"	13"
12"	3.5"	6.5"	15"
14"	3.5"	6.5"	17"
16"	3.5"	6.5"	19"
18"	3.5"	6.5"	21"

As part of our commitment to continuous improvement AAP reserves the right to change specifications, dimensions, and materials without notice.

<b>JOB NAME</b> _____ <b>LOCATION</b> _____ <b>ENGINEER</b> _____ <b>CONTRACTOR</b> _____	<b>DRAWN BY</b> _____	<b>DATE</b> _____
	<b>ALL PRODUCTS PROUDLY MADE IN THE USA BY SMWIA LU-17</b>	<b>REVISION</b>
		<b>DRAWING NUMBER</b>