

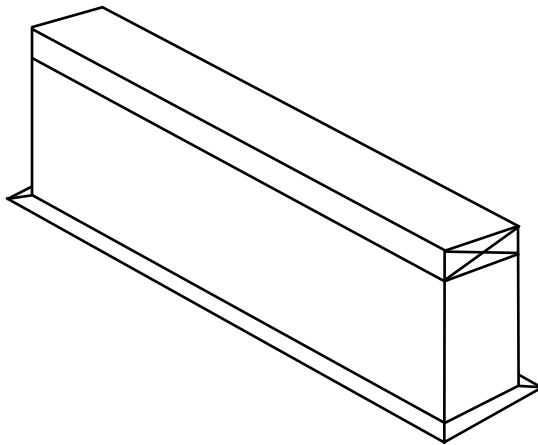
SUBMITTAL DATA

MODEL ESF

SELF FLASHING EQUIPMENT SUPPORT

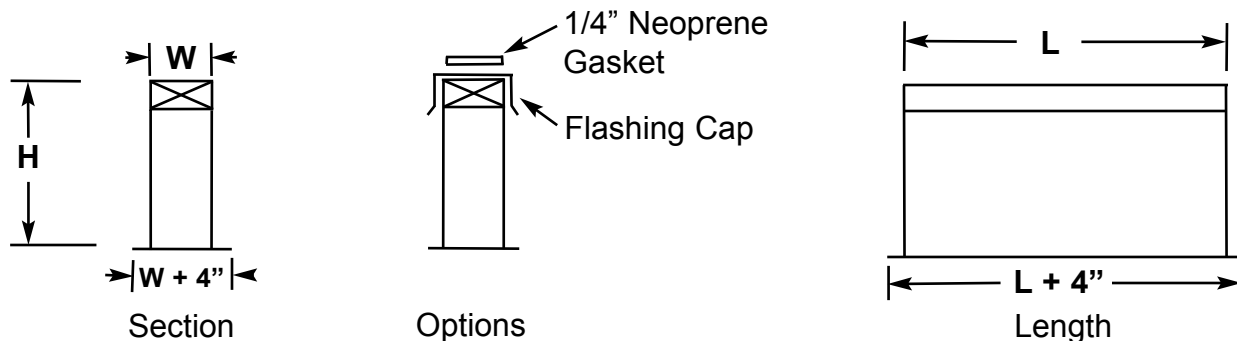
Construction

- 18 Gauge Galvanized Steel
- Continuous Welded Seams
- Standard Widths 3 1/2" and 5 1/2"
- Wood Nailer
- Heights: 8", 12", 16" & 24"
- Lengths: 10' max. in One Section
Longer Lengths Available in Multiple Sections



Options

- Flashing Cap
- Neoprene Gasket
- One or Two Way Pitch
- Special Reinforcement for Heavy Loading
- Pressure Treated Wood Nailer



As part of our commitment to continuous improvement AAP reserves the right to change specifications, dimensions, and materials without notice.

| | | |
|--|--|-----------------------------|
| JOB NAME _____ LOCATION _____ ENGINEER _____ CONTRACTOR _____ | DRAWN BY _____ | DATE _____ |
| | ALL PRODUCTS PROUDLY MADE IN THE USA BY SMWIA LU-17 | REVISION _____ |
| | | DRAWING NUMBER _____ |